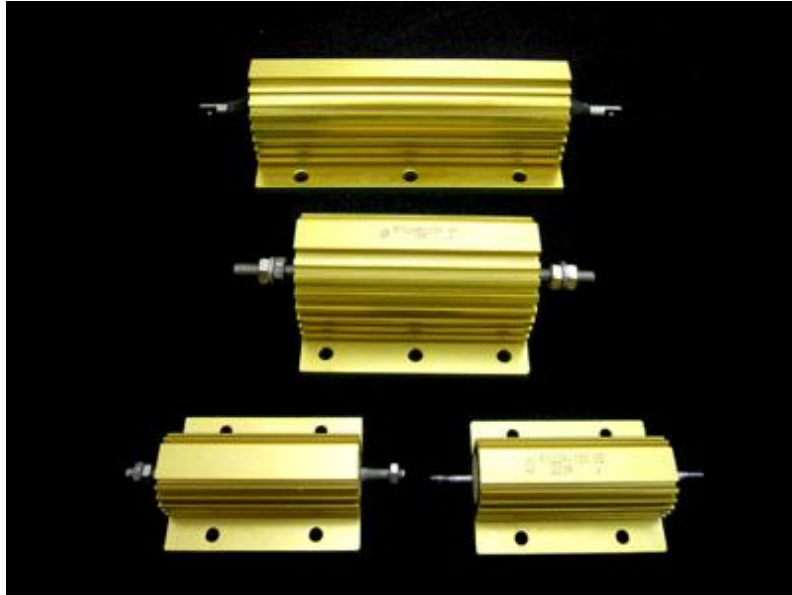
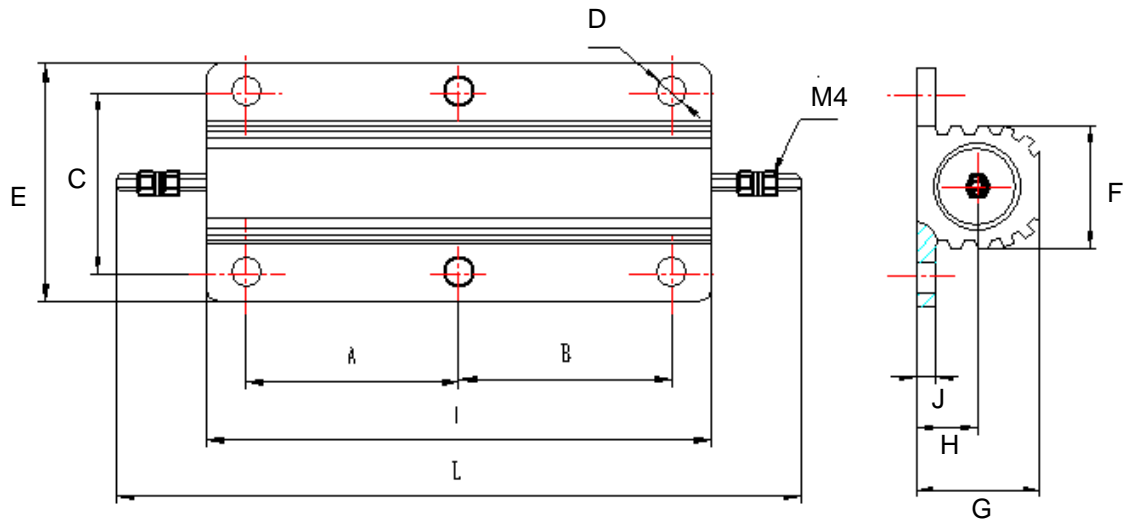


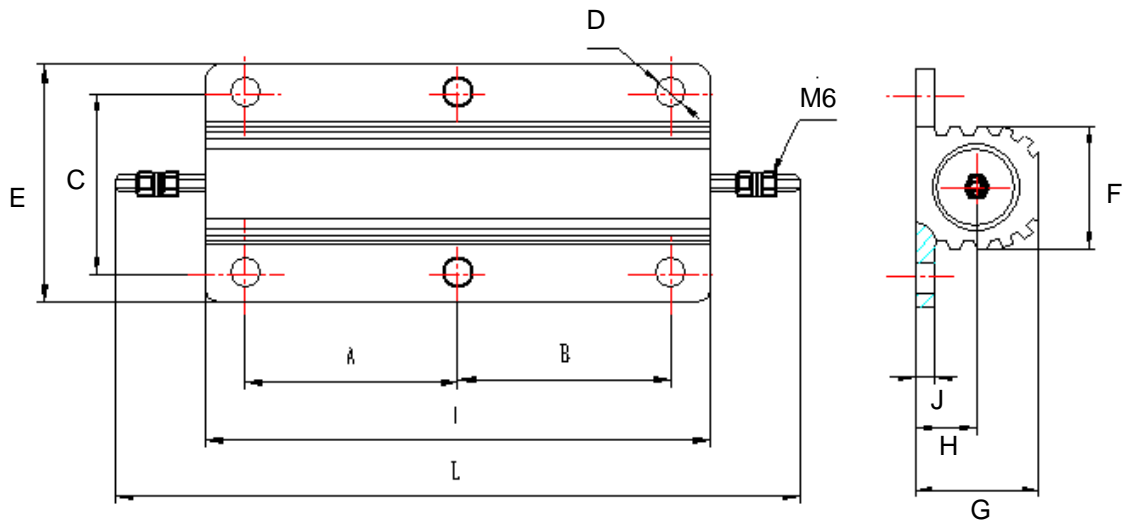
RXG24 High Power Aluminum Housed Wirewound Resistors



- With metal aluminum-housed heat sink, excellent temperature stability. Suitable for installation on the radiating board.
- Numerous lead wire options.
- Generally used in the direct current (DC) or the low frequency alternating current (AC) circuits, in the high frequency circuit can order non-inductive products.



| Power (W) | Dimensions(mm) | | | | | | | | | | |
|-----------|----------------|-------|-------|-------|----|---|----|----|----|----|-----|
| | L±3 | l±1.5 | A±0.5 | B±0.5 | C | D | E | F | G | H | J |
| 150 | 171 | 136 | 55.0 | 55.0 | 37 | 5 | 48 | 27 | 26 | 11 | 3.5 |
| 200 | 183 | 155 | 63.0 | - | 37 | 5 | 48 | 27 | 26 | 11 | 3.5 |



| Power (W) | Dimensions(mm) | | | | | | | | | | |
|-----------|----------------|-------|-------|-------|----|---|----|----|----|----|---|
| | L±3 | l±1.5 | A±0.5 | B±0.5 | C | D | E | F | G | H | J |
| 300 | 165 | 128 | 52 | 52 | 58 | 5 | 72 | 46 | 44 | 21 | 4 |

The curve is suitable for installation on standard heat sink.

