



FSY80X12L(M)(H) FSY80X24L(M)(H)

Features

Size: 80×80×25mm(3.15×3.15×1.00in)

Frame/Impeller: Reinforced Plastic UL94V-0



Bearings: Ball Bearing&Sleeve Bearing

Life Expectancy:50,000 Hours at 20°C-Ball

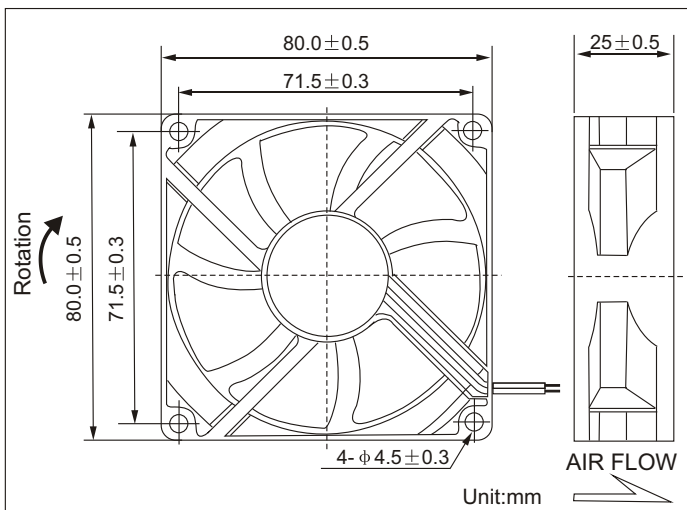
30,000 Hours at 20°C-Sleeve

Approvals: UL CUL TUV CE RoHS

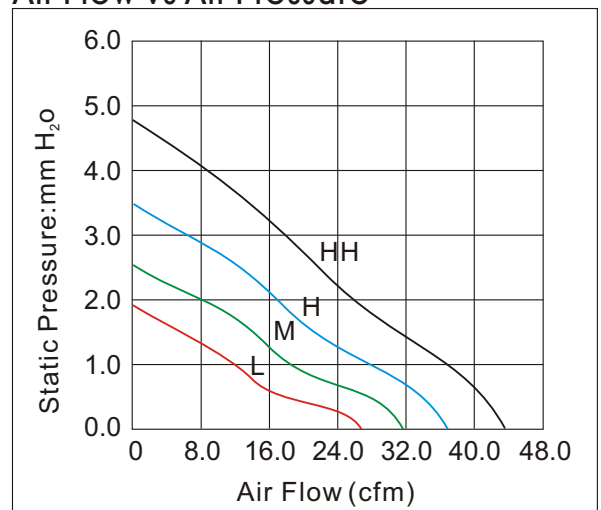
Weight: 60g



 E318377 CE TUV AE50078978

▪ RoHS Compliant



Air Flow vs Air Pressure



Performance

| Model | Bearing System X | | | Rated Voltage (V) | Current (A) | Input Power (W) | Nominal Speed (R.P.M) | Air Flow (CFM) | Air Pressure (mm-H ₂ O) | Noise (dBA) |
|------------|------------------|---|---|-------------------|-------------|-----------------|-----------------------|----------------|------------------------------------|-------------|
| | S | B | D | | | | | | | |
| FSY80X12L | ✓ | ✓ | ✓ | 12 | 0.08 | 0.96 | 2000 | 26.80 | 1.91 | 23 |
| FSY80X12M | ✓ | ✓ | ✓ | 12 | 0.15 | 1.80 | 2500 | 31.50 | 2.48 | 27 |
| FSY80X12H | ✓ | ✓ | ✓ | 12 | 0.20 | 2.40 | 3000 | 36.50 | 3.40 | 32 |
| FSY80X12HH | ✓ | ✓ | ✓ | 12 | 0.25 | 3.00 | 3500 | 44.00 | 4.81 | 37 |
| FSY80X24L | ✓ | ✓ | ✓ | 24 | 0.06 | 1.44 | 2000 | 26.80 | 1.91 | 23 |
| FSY80X24M | ✓ | ✓ | ✓ | 24 | 0.08 | 1.92 | 2500 | 31.50 | 2.48 | 27 |
| FSY80X24H | ✓ | ✓ | ✓ | 24 | 0.10 | 2.40 | 3000 | 36.50 | 3.40 | 32 |
| FSY80X24HH | ✓ | ✓ | ✓ | 24 | 0.12 | 2.88 | 3500 | 44.00 | 4.81 | 37 |
| FSY80X48M | ✓ | ✓ | ✓ | 48 | 0.07 | 3.36 | 3000 | 36.50 | 3.40 | 32 |
| FSY80X48H | ✓ | ✓ | ✓ | 48 | 0.15 | 7.20 | 3500 | 44.00 | 4.81 | 37 |