

1.8° 42mm Hybrid Stepper Motor-NEMA17



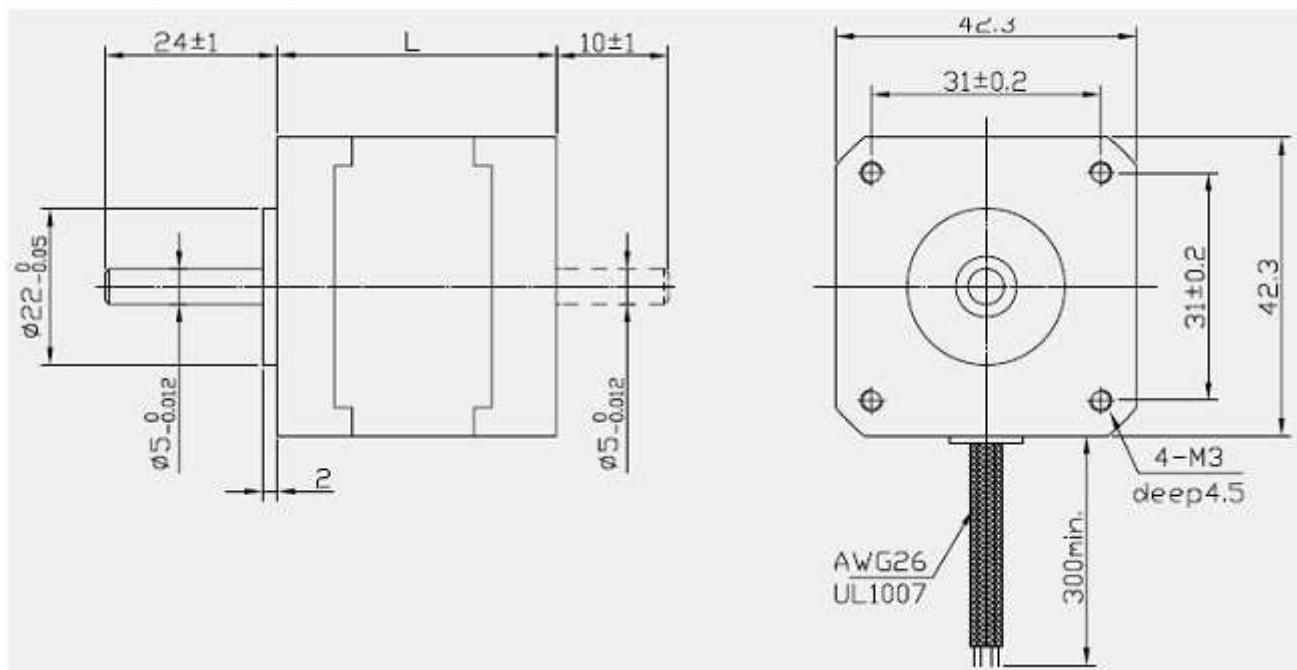
General Specification:

Item	Specifications
Step Angle	1.8°
Temperature Rise	80°C max
Ambient Temperature	-20°C ~+50°C
Insulation Resistance	100 MΩ Min. ,500VDC
Dielectric Strength	500VAC for 1minute
Shaft Radial Play	0.02Max. (450g-load)
Shaft Axial Play	0.08Max. (450g-load)
Max. radial force	28N (20mm from the flange)
Max. axial force	10N

Electrical Specifications:

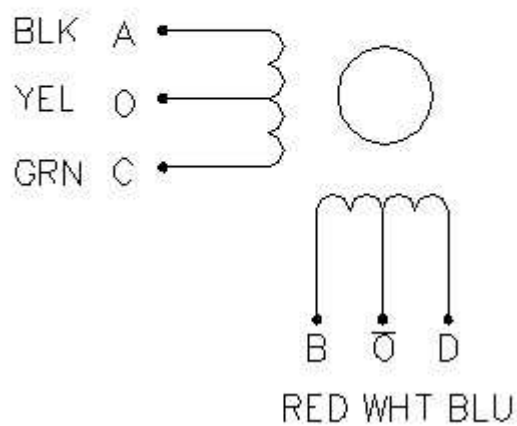
Model No.	Step Angle	Motor Length (L)mm	Current /Phase A	Resistance /Phase Ω	Inductance /Phase mH	Holding Torque kg.cm	# of Leads No.	Detent Torque g.cm	Rotor Inertia g.cm	Mass Kg
	(°)									
42HS34-0956	1.8	34	0.95	4.2	2.5	1.6	6	120	34	0.22
42HS34-0406	1.8	34	0.4	24	15	1.6	6	120	34	0.22
42HS34-0316	1.8	34	0.31	38.5	21	1.6	6	120	34	0.22
42HS34-1334	1.8	34	1.33	2.1	2.5	2.6	4	120	34	0.22
42HS34-0404	1.8	34	0.4	30	35	2.6	4	120	34	0.22
42HS40-0404	1.8	34	0.4	30	60	4.0	4	150	54	0.28
42HS40-1206	1.8	40	1.2	3.3	3.2	2.8	6	150	54	0.28
42HS40-0806	1.8	40	0.8	7.5	6.7	2.6	6	150	54	0.28
42HS40-1704	1.8	40	1.7	1.65	3.2	4.0	4	150	54	0.28
42HS40-0406	1.8	40	0.4	30	30	2.6	6	150	54	0.28
42HS40-1684	1.8	40	1.68	1.65	3.2	4.0	4	150	54	0.28
42HS48-1206	1.8	48	1.2	3.3	2.8	3.17	6	260	68	0.35
42HS48-0806	1.8	48	0.8	7.5	6.3	3.17	6	260	68	0.35
42HS48-0406	1.8	48	0.4	30	25	3.17	6	260	68	0.35
42HS48-1684	1.8	48	1.68	1.65	2.8	4.4	4	260	68	0.35
42HS60-1206	1.8	60	1.2	6	7	6.5	6	280	102	0.5

Dimensions:(Unit=mm)



Wiring Diagram:(接线图)

6 LEADS



4 LEADS

